

LTO04

LED INSET TAXIWAY EDGE LIGHT



COMPLIANCES

FAA: L-852T(L) AC150/5345-46 and EB No.67

ICAO: Annex 14 - Volume I par. 5.3.17.8

IEC: TS 61827

NATO: STANAG 3316

CAA: CAP 168

IAAE: TP312



APPLICATIONS

Taxiway edge for FAA, ICAO and military taxiways

BENEFITS

- 60,000 hours LED rated life at full intensity, but over 100,000 hours in field operating conditions
- In new installation, LED lights mean lower loads, smaller CCRs and transformers, thus lower life cycle costs
- The light output varies like a traditional halogen lamp, as required by the FAA "Engineering Briefing No.67"
- Color produced by LEDs: no color filter ensures no energy losses and no color shifts
- Fully compatible with existing AFL infrastructures*
- Designed with simplicity allowing longer maintenance intervals and fewer spare parts
- No use of sealant to fix the lens in the dome thanks to customized gaskets, making replacement quick and easy
- Replacement of LED module or lens requires no optical adjustment
- Pressure Valve provided for water tightness test after overhaul
- Operates with any type of CCR designed in compliance with FAA or IEC requirements

* For monitored fixtures, isolation transformer max size: 200VA

PERFORMANCES

- The electronics are built tough and highly resistant to shock and vibration
- Surge protection is provided with the electronics as required by the FAA "Engineering Briefing No.67"
- Immediate internal fault detection.
- Height protrusion of 0.25" (6.35 mm) strongly reduces vibrations to aircrafts and to light itself, increasing its lifetime
- Omnidirectional, 8" or 12" dia.
- Drop-forged dome and cast aluminium lower cover make the fixture sturdy, but lightweight for ease handling in the field
- Light output is not affected by heavy rainfall thanks to the flat surface of the dome
- O-Ring placed outside the dome to avoid dirt deposits between light and base
- Protection degree: IP67
- Temperature range: -55°C to +55°C

INSTALLATION

- Suitable for 12" dia. bases
- Specific tools available for easy and precise installation

PHOTOMETRIC PERFORMANCES

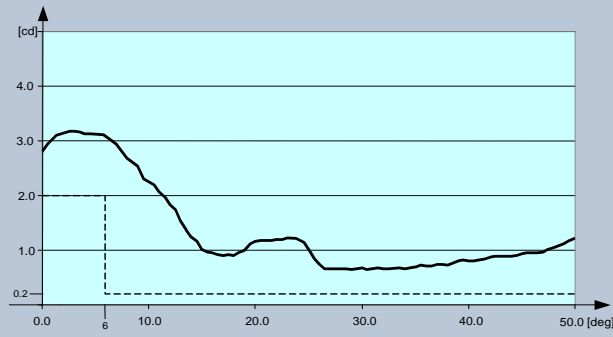
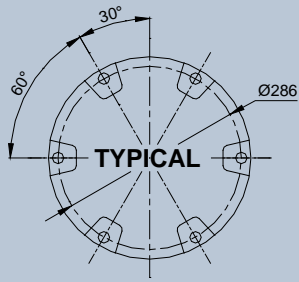


Fig. 1 ICAO par. 5.3.17.8 and FAA L-852T – Blue

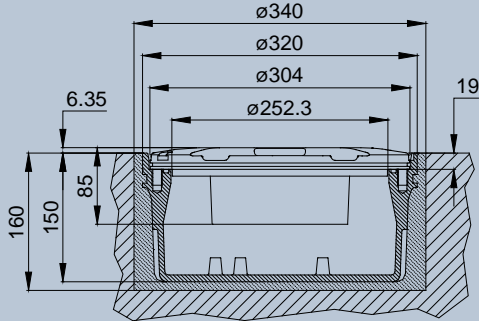
TABLES

POWER CONSUMPTION*	
Electrical System	1 Plug
Omnidirectional (w/o Arctic Kit)	8 VA
Omnidirectional (with Arctic Kit)	48 VA
* Measured at 6.6 A and referred to the highest consumption configuration	

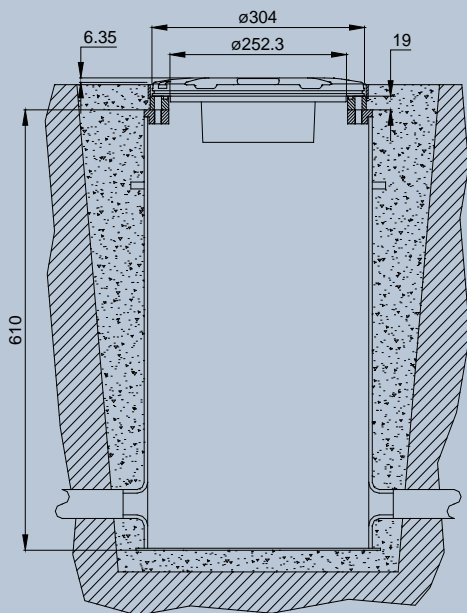
POWER FACTOR		
Input Step	2.8A	6.6A
Power Factor	0.96	0.98



Light Fixture 12" dia.



Shallow Base 12" dia.



L-868 Deep Base 12" dia.

LTO 17 04 - F - 0 - M - A

Basic P/N: _____

Bolt Circle Diameter: _____

08 = Suitable for 12" L-868B Deep Base

17 = Suitable for 12" L-867B Deep Base

18 = Suitable for 12" L-868B Deep Base

Compliance: _____

I = ICAO - IEC

S = STANAG

F = FAA

Mounting Assembly: _____

0 = No Mounting Assembly

Monitoring: _____

0 = Without Monitoring

M = With Monitoring

Arctic Kit: _____

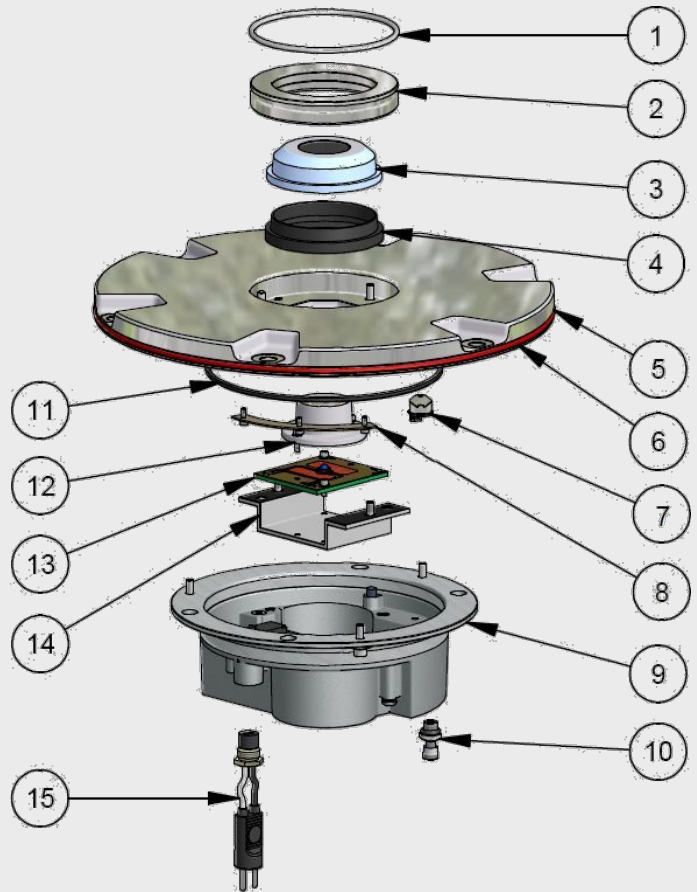
0 = Without Arctic Kit

A = With Arctic Kit

RENEWAL PARTS FOR LIGHT UNIT:

- 1 Aluminium lens holder
- 2 O-Ring for aluminium lens holder
- 3 Lens
- 4 Lens gasket
- 5 Dome with lens and gaskets
- 6 O-Ring for dome
- 7 Arctic Kit thermostat
- 8 Arctic Kit heater
- 9 Lower cover with electronic, plug and valve
- 10 Valve for watertightness test
- 11 O-Ring for lower cover
- 12 Reflector with hardware
- 13 LED module with accessories
- 14 LED module support with hardware
- 15 FAA L-823 plug

Refer to the relevant technical manual for the complete list of the available spare parts

**Shipping Weights and Volumes**

	Light Unit	Shallow base
Weight Lbs (kg)	11 (5.0)	16 (7.3)
Volume Ft ³ (m ³)	0.78 (0.022)	0.78 (0.022)

We reserve the right to change the design or specification data without notice

LTO04LED_US-Rev.A

Multi Electric Mfg., Inc.

4223 W Lake Street Chicago, IL 60624 - Tel: 773.722.1900 Fax: 773.722.5694
sales@multielectric.com - www.multielectric.com



Via della Solidarietà, 2/1
40056 Valsamoggia – Bologna (Italy)
Tel: +39 051 66 56 611