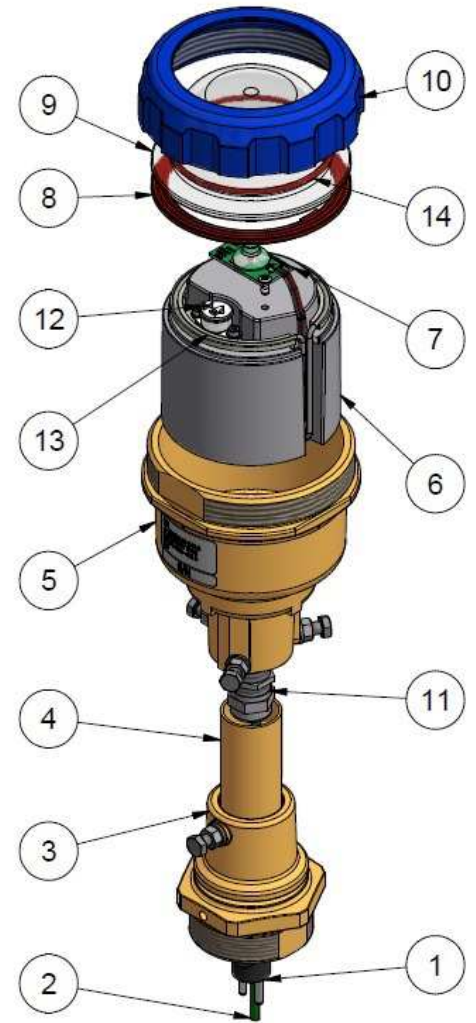


# LTE - RENEWAL SPARE PARTS

Nr.	DESCRIPTION	CODE
1	FAA L-823 plug (H = 28,32,35)	011.3000
1	FAA L-823 plug (H = 50,61,76)	011.3001
2	Fixture grounding wire (H = 25,28,32,35)	DECVO0001
2	Fixture grounding wire (H = 50,61)	DECVO0002
2	Fixture grounding wire (H = 76)	DECVO0003
2	Fixture grounding wire (H = 25) I.C.A.O.	323.7209
3	Breakable coupling, 1"1/2 - 12 UNF	001.2062
3	Breakable coupling, 2" - 11 1/2 NPS	156.5420
3	Breakable coupling, 2" - 11 GAS	156.5490
4	Standard 1-inch tube (H = 25)	315.3811
4	Standard 1-inch tube (H = 28)	315.3817
4	Standard 1-inch tube (H = 32)	315.3818
4	Standard 1-inch tube (H = 35)	315.3814
4	Standard 1-inch tube (H = 50)	315.3819
4	Standard 1-inch tube (H = 61)	315.3820
4	Standard 1-inch tube (H = 76)	315.3821
5	Main body with slipfitter	156.5480
6	Electronic w/out monitoring	156.5520
6	Electronic with monitoring	156.3041
6	Electronic w/out monitoring for fixture with arctic kit	156.5525
6	Electronic with monitoring for fixture with arctic kit	156.5524
7	LED module with accessories (BLUE)	150.4089
7	LED module with accessories (YELLOW)	150.4173
8	Gasket for lens	DMGGS0001
9	Lens	317.4341
10	Lens locking ring	DMFFA0003
11	Cable gland	156.5482
12	Arctic kit assembly (thermostat + heater)	156.5511
12	Arctic kit thermostat with screws, cables and faston	156.5512
13	Arctic kit heater with plastic ring	156.5513
14	O-Ring gasket for lens	CMGGS0001



UC-PU-0278\_EN-Rev.C

**Multi Electric Mfg., Inc.**

4223 W Lake Street Chicago, IL 60624 - Tel: 773.722.1900 Fax: 773.722.5694

sales@multielectric.com - www.multielectric.com

**MULTI  
ELECTRIC**

**OCEM** group