

LRCL04



LED INSET RUNWAY CENTERLINE AND RAPID EXIT TAXIWAY INDICATOR LIGHT (R.E.T.I.L.)

COMPLIANCES

FAA: L-850A(L) & L-850T(L) AC150/5345-46 and EB No.67

ICAO: Annex 14 - Volume I Fig. A2-6, A2-7

IEC: TS 61827

NATO: STANAG 3316

CAA: CAP 168

IAAE: TP312



APPLICATIONS

Runway centerline for FAA & ICAO CAT I, II and III and military runways, L850-T RWSL, THL and RIL for FAA, R.E.T.I.L. for ICAO and FAA LAHSO (L-850A) applications

BENEFITS

- 60,000 hours LED rated life at full intensity, but over 100,000 hours in field operating conditions
- In new installation, LED lights mean smaller loads, smaller CCRs and transformers, thus lower life cycle costs
- The light output is varies like a traditional halogen lamp, as required by the FAA "Engineering Briefing No.67"
- Color produced by LEDs: no colored filters ensures no energy losses and no color shifts
- Fully compatible with existing AFL infrastructure*
- Designed with simplicity allowing longer maintenance intervals and fewer spare parts
- Use of gaskets to set the prisms in the dome makes their replacement quick and easy
- No optical adjustment is needed after LED module or prism replacement
- Pressure Valve is provided for water tightness test after overhaul
- Operates with any FAA or IEC compliant CCRs.

* For monitored fixtures, isolation transformer max size: 200VA

PERFORMANCES

- The electronics are built tough and highly resistant to shock and vibration
- Compatible with 50 or 60 Hz the supply current
- Surge protection is provided to protect the electronics as required by the FAA "Engineering Briefing No.67"
- Immediate internal fault detection
- Meer 0.25" (6.35 mm) protrusion above the pavement reduces vibrations to aircrafts and to the fixture itself, increasing its life expectancy
- The smooth outer Dome profile makes the light less susceptible to snowplough blades
- Bidirectional or unidirectional, 12" dia.
- The aluminium forged dome and die cast lower cover make the fixture sturdy, but lightweight for easier handling in the field
- Heavy rainfall has little effect on Light output thanks to the shallow channel in front of the prism windows
- An O-Ring is provided to avoid dirt deposits between the fixture and base
- Protection degree: IP67
- Temperature range: -55°C to +55°C

INSTALLATION

- Suitable for 12" dia. bases
- Specific tools available for easy and precise installation

PHOTOMETRIC PERFORMANCES

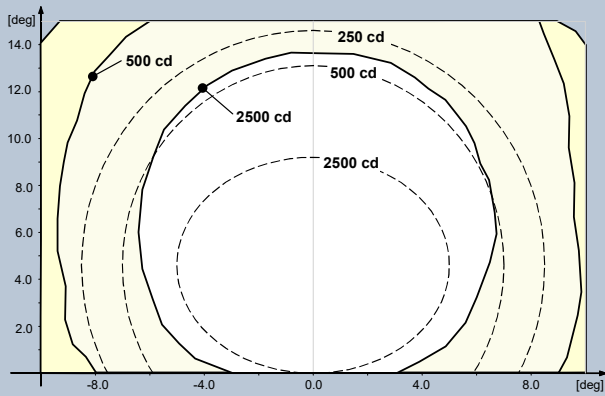


Fig. 1 ICAO A2-7 15 m – White

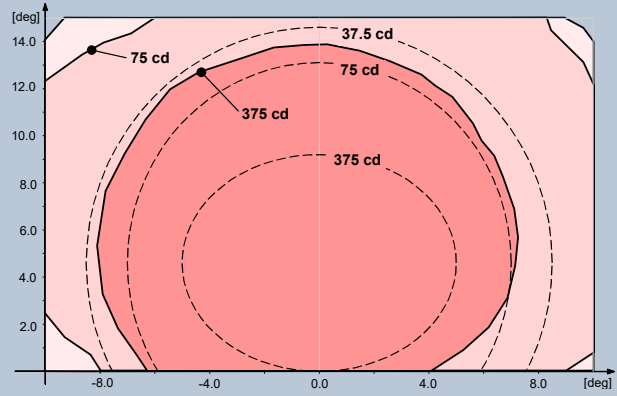


Fig. 2 ICAO A2-7 15 m – Red

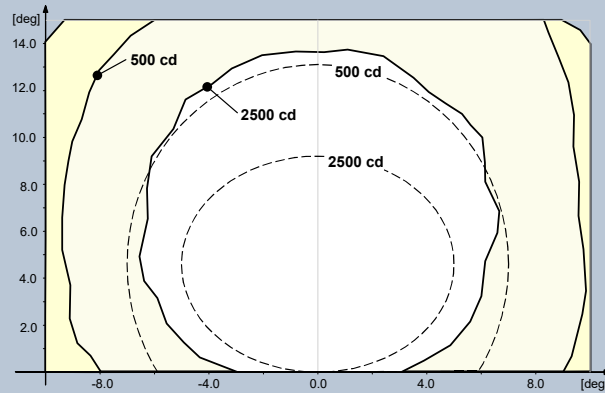


Fig. 3 FAA L-850A – White

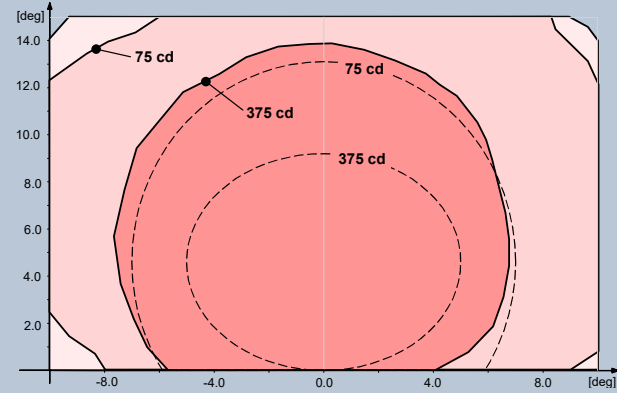


Fig. 4 FAA L-850A – Red

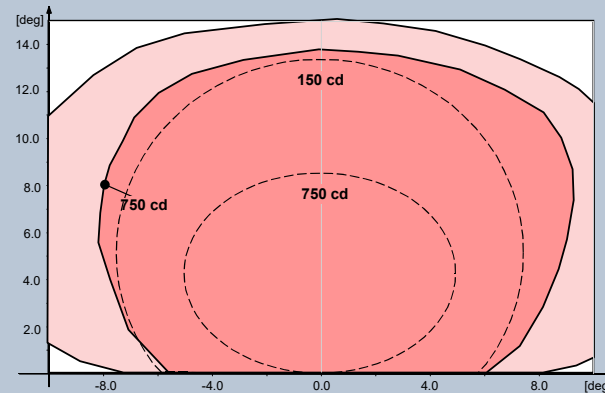


Fig. 5 FAA L-850T – Red

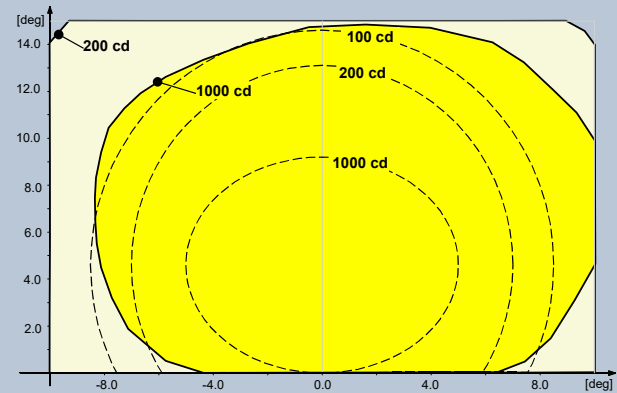


Fig. 6 ICAO A2-7 R.E.T.I.L. – Yellow

POWER CONSUMPTION*

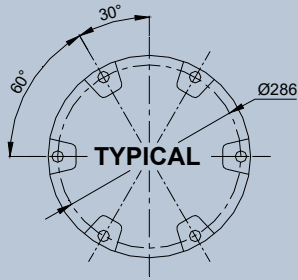
Electrical System	1 Plug	2 Plugs
Unidirectional (w/o Arctic Kit)	20 VA	-
Unidirectional (with Arctic Kit)	60 VA	-
Bidirectional (w/o Arctic Kit)	31 VA	40 VA
Bidirectional (with Arctic Kit)	71 VA	120 VA

* Measured at 6.6 A and referred to the highest consumption configuration

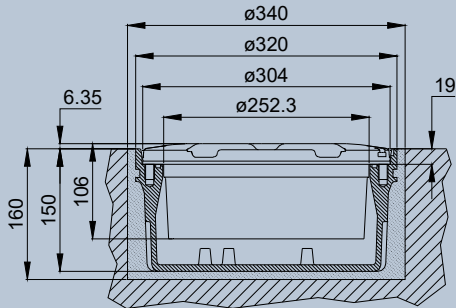
TABLES

POWER FACTOR

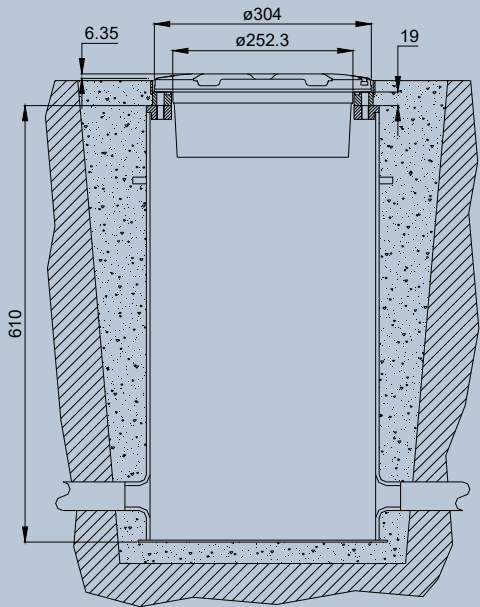
Input Step	2.8A	6.6A
Power Factor	0.96	0.98



Light Fixture 12" dia.



Shallow Base 12" dia.



L-868 Deep Base 12" dia.

LRCL04- F - WR - 2P - M - A

Basic P/N: _____

Compliance: _____

I = ICAO 15 m

S = ICAO 30 m

F = FAA

Color(Side A)/(Side B): _____

W = White

R = Red

T = Red (L-850T)

Y = Yellow (R.E.T.I.L. ICAO)

S = Screened

M = Blank (unidirectional dome) *

Electrical System: _____

1P = One Plug

2P = Two Plugs

Monitoring: _____

O = Without Monitoring

M = With Monitoring

Arctic Kit: _____

O = Without Arctic Kit

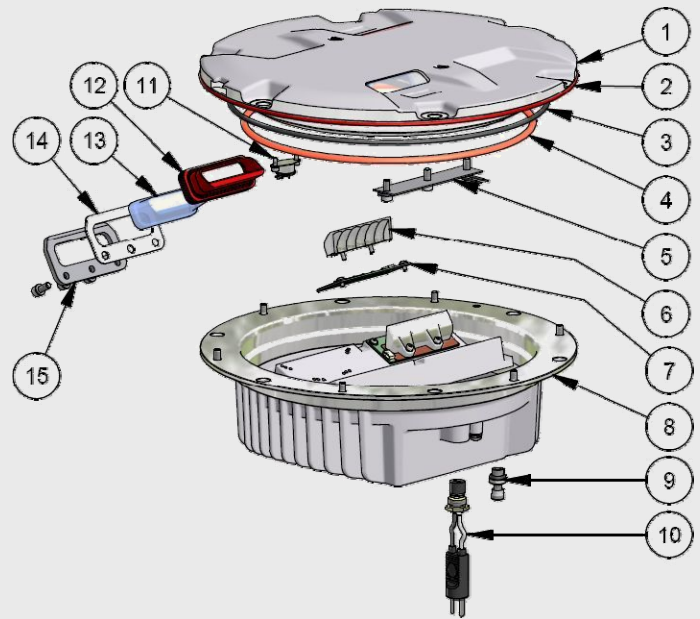
A = With Arctic Kit

* The aperture not finished "M" will be always on side "B"

RENEWAL PARTS FOR LIGHT UNIT:

- 1 Dome with prisms and gaskets
- 2 O-Ring for dome (external)
- 3 O-Ring for dome (internal)
- 4 O-Ring for lower cover
- 5 Arctic Kit heater
- 6 Reflector with hardware
- 7 LED module with accessories
- 8 Lower cover with electronic, plug and valve
- 9 Valve for watertightness test
- 10 FAA L-823 plug
- 11 Arctic Kit thermostat
- 12 Prism Gasket
- 13 Prism
- 14 Prism holder gasket
- 15 Mounting plate

Refer to the relevant technical manual for the complete list of the available spare parts

**Shipping Weights and Volumes**

	Light Unit	Shallow base
Weight Lbs (kg)	19.6 (8.9)	16 (7.3)
Volume Ft³ (m³)	0.78 (0.022)	0.78 (0.022)

We reserve the right to change the design or specification data without notice

LRCL LED_US-Rev.A

Multi Electric Mfg., Inc.

4223 W Lake Street Chicago, IL 60624 - Tel: 773.722.1900 Fax: 773.722.5694
sales@multielectric.com - www.multielectric.com



Via 2 Agosto 1980, 11
40016 San Giorgio di Piano – Bologna (Italy)
Tel: +39 051 66 56 611 - Fax: +39 051 66 56