

LERA ON FRANGIBLE LOWERING MAST INSTRUCTION MANUAL FOR AIMING OPTICAL DEVICE

Redatto da: E.RAULI

Approvato da: M.ROMAGNOLI

N° Allegati:

Copia n°:

Edizione 12/18/2014

LERA ON FRANGIBLE LOWERING MAST - INSTRUCTION MANUAL FOR AIMING OPTICAL DEVICE

EDITIONS**Date**

18/12/2014 First Edition

REVISIONS

Index	Date	Description	Edited by	Approved by
--------------	-------------	--------------------	------------------	--------------------

LIST OF EFFECTIVE PAGES

From page 1 to page 8

Edizione 12/18/2014

LERA ON FRANGIBLE LOWERING MAST - INSTRUCTION MANUAL FOR AIMING OPTICAL DEVICE

INDEX

EDITIONS	2
REVISIONS.....	2
LIST OF EFFECTIVE PAGES.....	2
INDEX.....	3
INDEX OF FIGURES.....	3
INDEX OF TABLES.....	3
LIST OF ATTACHMENTS	3
1. ADAPTER PLATE FOR LIGHT SIGHT	4
2. AIMING OF THE FIXTURE MOUNTED ON FRANGIBLE LOWERING MAST	5
2.1 HORIZONTAL AIMING	5
2.2 VERTICAL AIMING.....	7

INDEX OF FIGURES

<i>Figure 1: main components</i>	<i>4</i>
<i>Figure 2: light sight position for horizontal aiming</i>	<i>6</i>
<i>Figure 3: fixture fastening after horizontal aiming</i>	<i>6</i>
<i>Figure 4: light sight position for vertical aiming</i>	<i>7</i>
<i>Figure 5: vertical aiming adjustment</i>	<i>8</i>

INDEX OF TABLES

LIST OF ATTACHMENTS

Edizione 12/18/2014

LERA ON FRANGIBLE LOWERING MAST - INSTRUCTION MANUAL FOR AIMING OPTICAL DEVICE

1. ADAPTER PLATE FOR LIGHT SIGHT

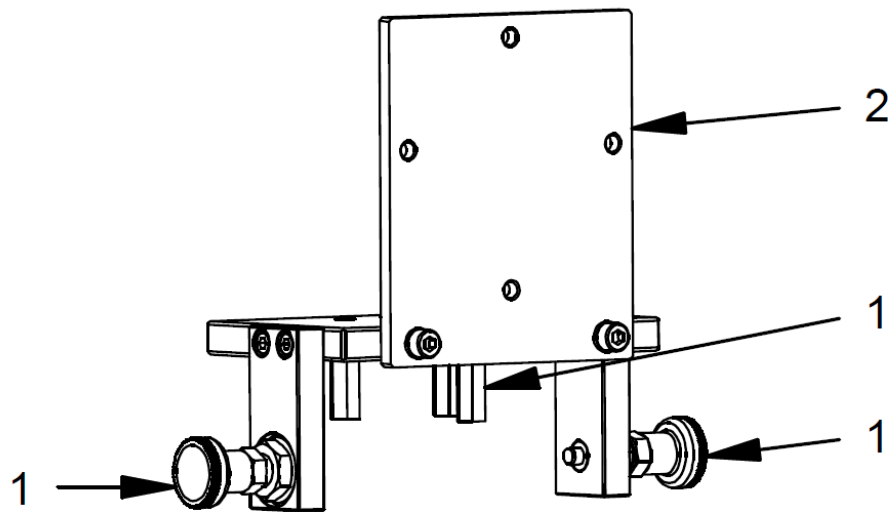


Figure 1: main components

1. Spacers and side rod springs
2. Plate for light sight

Edizione 12/18/2014

LERA ON FRANGIBLE LOWERING MAST - INSTRUCTION MANUAL FOR AIMING OPTICAL DEVICE

2. AIMING OF THE FIXTURE MOUNTED ON FRANGIBLE LOWERING MAST

For the installation of the light on frangible lowering pole the following steps are suggested.

1. Place mast in down position on a support at level (see fig. 1).
2. Using the light sight (P/N 332.3240) mounted on the upper part of the pole, determine the repose angle of the pole.
3. Install the light unit, complete with adapter plate, on the top of the pole through the special support.

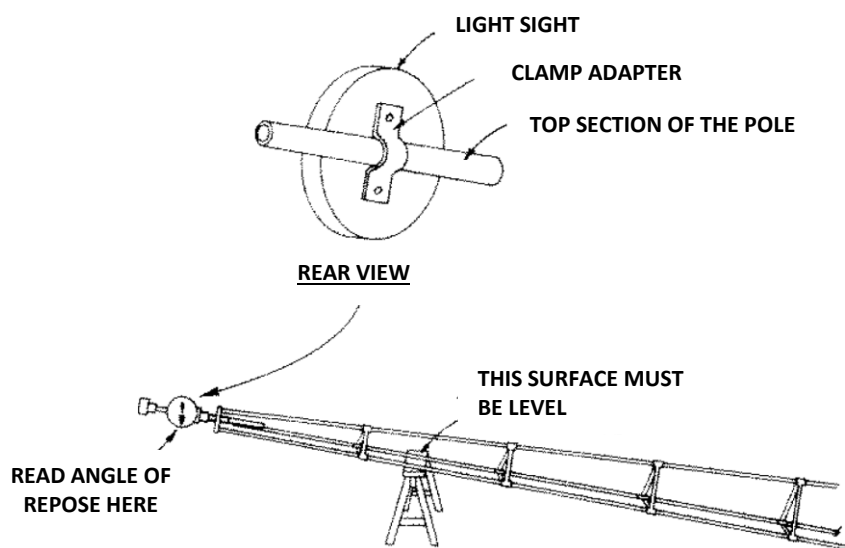


Figure 1: frangible lowering pole in down position

2.1 HORIZONTAL AIMING

1. Attach the light sight to the adapter as shown in figure 2.
2. If the pole is already aimed in in respect to the runway centreline, the fixture must be rotate so that the light sight is 0° o 90°.
3. If the pole is parallel to the runway centerline, fixture must be rotate toward the runway centreline of an angle as required by the international rules.
4. Fasten the fixture by means of the four screws of the special support (fig. 3).

Edizione 12/18/2014

LERA ON FRANGIBLE LOWERING MAST - INSTRUCTION MANUAL FOR AIMING OPTICAL DEVICE

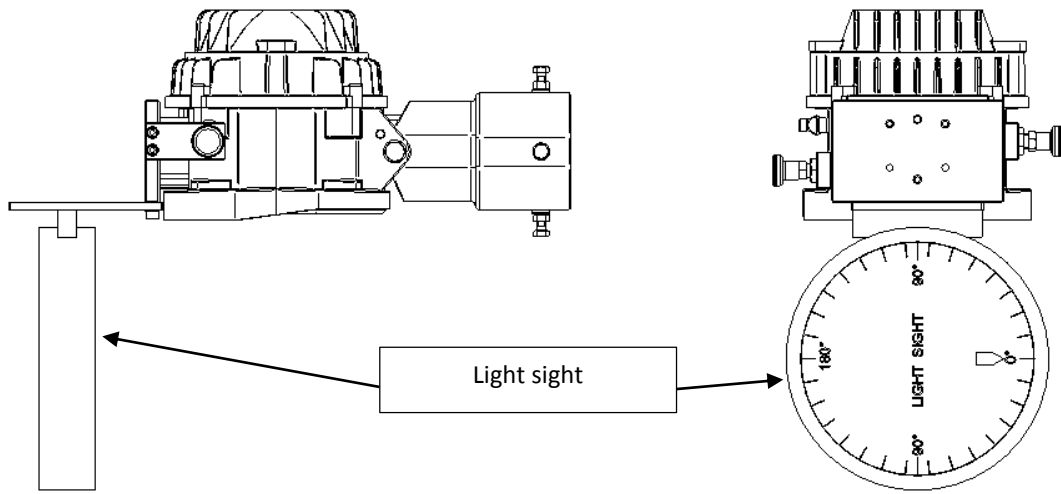


Figure 2: light sight position for horizontal aiming

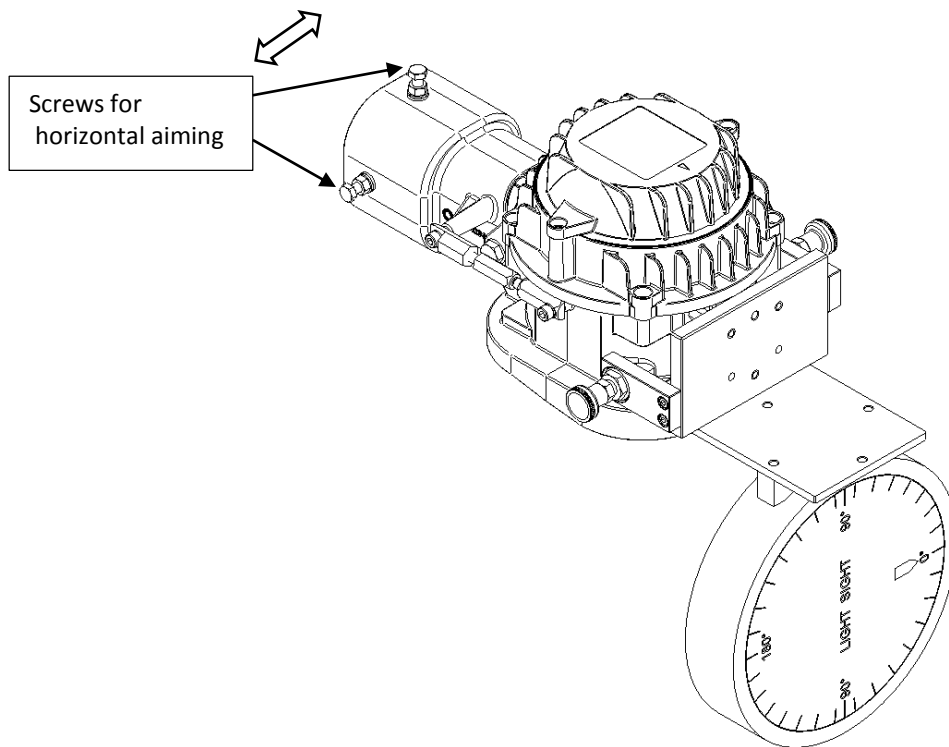


Figure 3: fixture fastening after horizontal aiming

Edizione 12/18/2014

LERA ON FRANGIBLE LOWERING MAST - INSTRUCTION MANUAL FOR AIMING OPTICAL DEVICE

2.2 VERTICAL AIMING

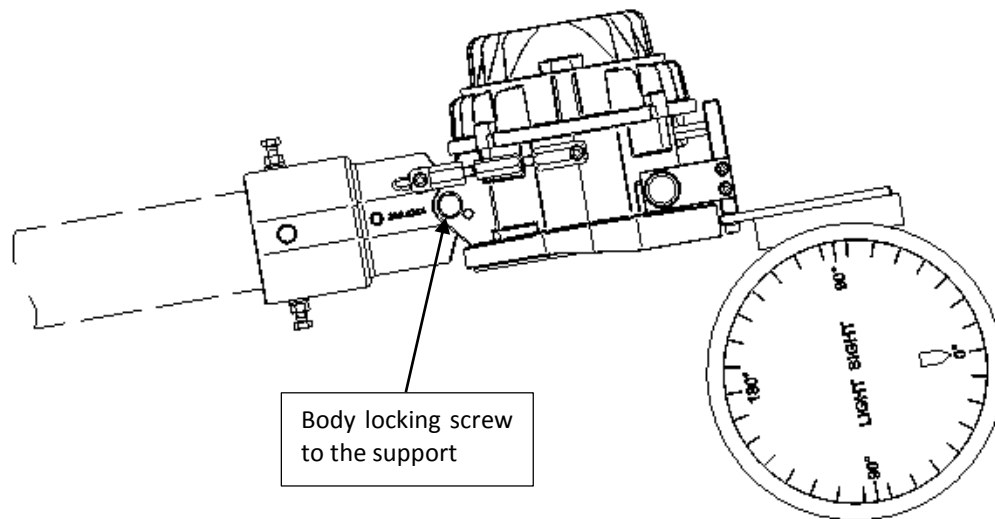


Figure 4: light sight position for vertical aiming

1. For the vertical aiming attach the light sight as per figure 4.
2. Be sure that both the screws with washer, which locks the body to the special support and act as fulcrum, are loosen (fig. 4).
3. Operate the vertical aiming adjusting device (tie-rod) (fig. 5) until the light sight in free-wheeling mode reads the required angle.
Example:
Elevation desired angle: 8°
Measured angle of repose: 10°
To properly aim the fixture in the vertical plane, operate the vertical aiming adjusting device (tie-rod) until the light sight reads 80° (90° - 10°) and then 72° (80° - 8°).
4. Put the light sight in lock mode and attach a nylon cord. Raise the mast and tighten it
5. Raise the mast. Pull the nylon cord and allow the light sight to come to rest so. Release the cord.
6. Lower the mast and read the angle direct from the light sight to make the final adjustment, operating as before described.
7. Finally tighten the 2 screws which lock the fixture body to the special support (fig. 4).

Edizione 12/18/2014

LERA ON FRANGIBLE LOWERING MAST - INSTRUCTION MANUAL FOR AIMING OPTICAL DEVICE

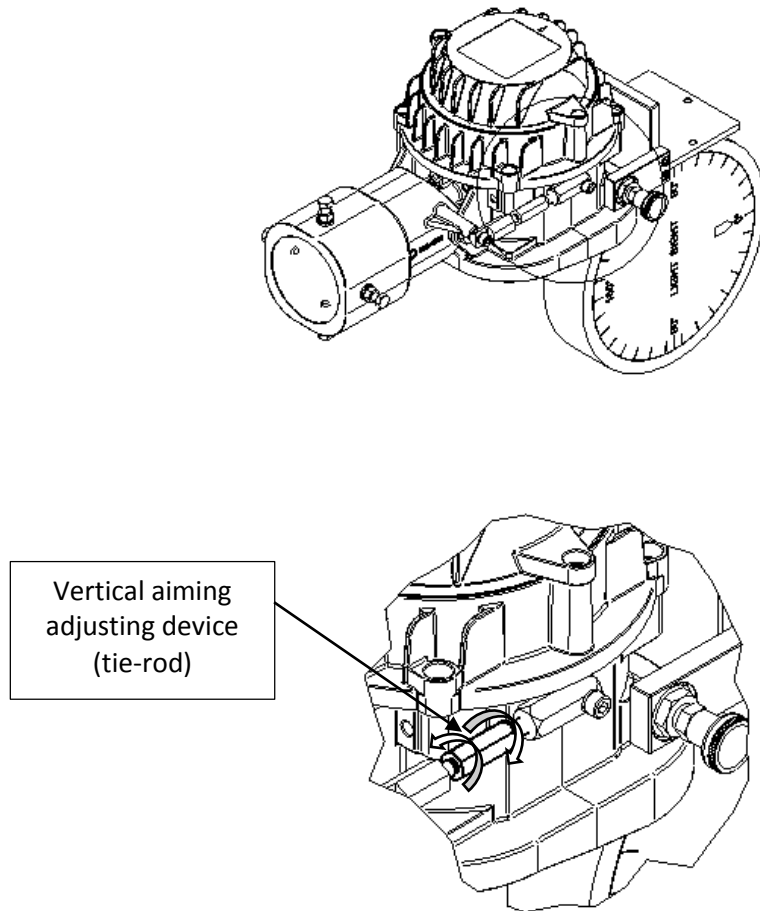


Figure 5: vertical aiming adjustment