

LTWS04

LED INSET STOP BAR LIGHT



COMPLIANCES

FAA: L-852S(L) AC150/5345-46 and EB No. 67



APPLICATIONS

Stop Bar for FAA runways

BENEFITS

- 60,000 hours LED rated life at full intensity, but over 100,000 hours in field operating conditions
- In new installation, LED lights mean lower loads, smaller CCRs and transformers, lower life cycle costs
- The light output is varies like a traditional halogen lamp, as required by the FAA "Engineering Briefing No.67"
- Color emitted directly by LEDs: without color filters ensuring no energy losses and no color shifts
- Fully compatible with existing AFL infrastructure*
- Designed with simplicity in mind allowing longer maintenance intervals and fewer spare parts
- No use of sealant to fix the prisms in the dome thanks to customized gaskets, making their replacement quick and easy
- LED module or prism replacement requires no optical adjustment
- Pressure Valve is provided for water tightness testing after overhaul
- Operate with any type of CCR designed in compliance with FAA or IEC requirements

* For monitored fixtures, isolation transformer max size: 200VA

PERFORMANCES

- The electronics are built tough and highly resistant to shock and vibration
- Automatic operation on 50 or 60Hz supply current
- Surge protection is provided to protect the electronics as required by the FAA "Engineering Briefing No.67"
- Internal faults re Immediate detected
- The mere 0.25" (6.35 mm) protrusion above grade strongly reduces vibrations to aircraft and to the fixture itself, increasing life expectancy
- The smooth outer profile of the Dome makes the fixture less susceptible to snowplough blades
- Unidirectional, 12" dia.
- The aluminium forged dome and die cast lower cover make the fixture sturdy, but lightweight for easey handling in the field
- Heavy rainfall has little effect on Light output thanks to the shallow channel in front of the prism windows
- An O-Ring is provided to avoid dirt deposits between fixture and base
- Protection degree: IP67
- Temperature range: -55°C to +55°C

INSTALLATION

- Suitable for 12" dia. bases
- Specific tools available for easy and precise installation

PHOTOMETRIC PERFORMANCES

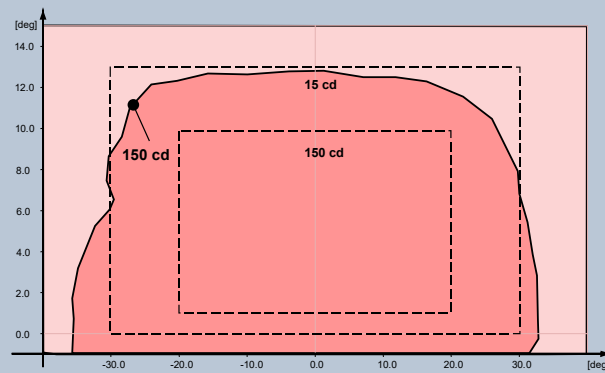
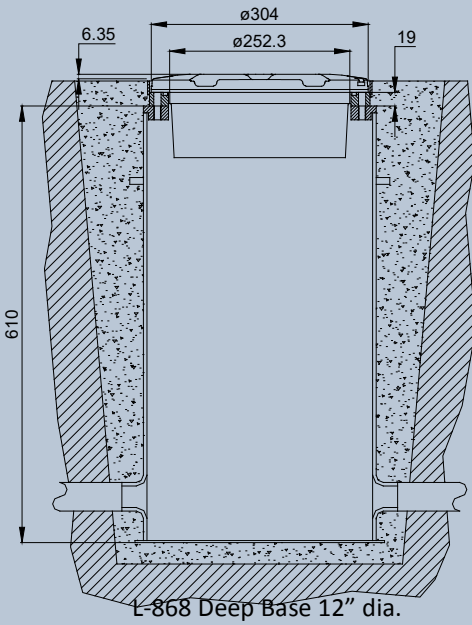
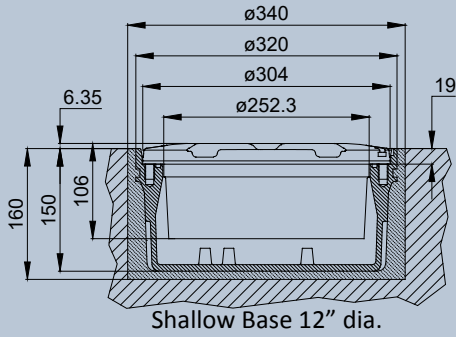
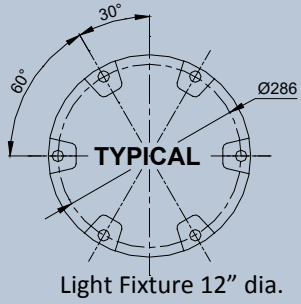


Fig. 1 FAA L-852S – Red

TABLES

POWER CONSUMPTION*	
Electrical System	1 Plug
Unidirectional (w/o Arctic Kit)	17 VA
Unidirectional (with Arctic Kit)	57 VA
* Measured at 6.6 A and referred to the highest consumption configuration	

POWER FACTOR		
Input Step	2.8 A	6.6 A
Power Factor	0.96	0.98



LTWS04 - M - A

Basic P/N: _____

Monitoring: _____

0 = Without Monitoring

M = With Monitoring

Arctic Kit: _____

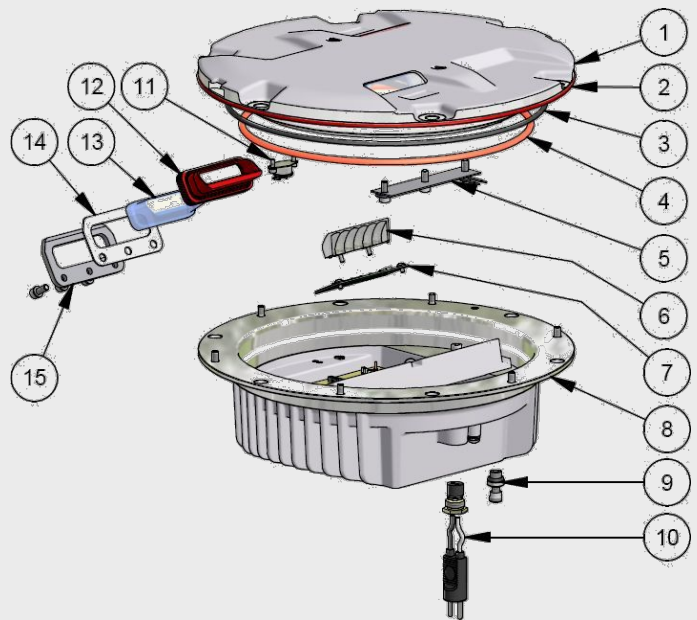
0 = Without Arctic Kit

A = With Arctic Kit

RENEWAL PARTS FOR LIGHT UNIT:

- 1 Dome with prisms and gaskets
- 2 O-Ring for dome (external)
- 3 O-Ring for dome (internal)
- 4 O-Ring for lower cover
- 5 Arctic Kit heater
- 6 Reflector with hardware
- 7 LED module with accessories
- 8 Lower cover with electronic, plug and valve
- 9 Valve for watertightness test
- 10 FAA L-823 plug
- 11 Arctic Kit thermostat
- 12 Prism gasket
- 13 Prism
- 14 Prism holder gasket
- 15 Mounting plate

Refer to the relevant technical manual for the complete list of the available spare parts



Shipping Weights and Volumes		
	Light Unit	Shallow base
Weight Lbs (kg)	16 (7.3)	16 (7.3)
Volume Ft ³ (m ³)	0.78 (0.022)	0.78 (0.022)

We reserve the right to change the design or specification data without notice

LTWS LED_US-Rev.A

Multi Electric Mfg., Inc.

4223 W Lake Street Chicago, IL 60624 - Tel: 773.722.1900 Fax: 773.722.5694
 sales@multielectric.com - www.multielectric.com



Via 2 Agosto 1980, 11
 40016 San Giorgio di Piano – Bologna (Italy)
 Tel: +39 051 66 56 611 - Fax: +39 051 66 56