

6370 SERIES



High Intensity Elevated Runway Threshold and End Light

Compliant With:

FAA AC 150/5345-46 — L862 & L862E

ICAO Annex 14



DESCRIPTION

The 6300 Series High Intensity Light is used for elevated runway edge and elevated threshold/end lighting.

The fixtures are certified to FAA L-862 and L-862E under Advisory Circular 150/5345-46 and meets requirements of ICAO Annex 14.

The die cast aluminum fixture body supports a smooth heat resistant outer lens and the inner lenses in a precise position with respect to the pre-focused filament of the lamp. Runway edge lights use a clear outer lens with clear or colored inner lenses. Threshold/End lights use colored outer lens with clear inner lenses. Fixtures mount directly on either a 2" Frangible Coupling, 2" EMT with an EMT Frangible Coupling or 1" EMT with a Frangible Coupling.

The L-862 Runway edge lights use a 120W 6.6A Bi-pin quartz lamp for white and yellow, and a 150W 6.6A Bi-pin quartz lamp for any combination that includes Red and Green.

For the L-862E Threshold/End lights, a 200W 6.6A quartz lamp is used. Easy lamp replacement is accomplished by loosening one thumbscrew and lifting the entire optic lens assembly from the base unit.

ORDERING INFORMATION

6370 - X - XX - XX - A - X

Base Fixture:

Application:

R = Runway

T = Threshold

Color / Color:

A = Amber (Yellow)

B = Blue

G = Green

O = Obscure (Black)

R = Red

W = White (Clear)

Height:

10 = 10 Inches

14 = 14 Inches

18 = 18 Inches

20 = 20 Inches

24 = 24 Inches

30 = 30 Inches

A = Airbus Large Body Approved

Mounting:

1 = 1 Inch EMT 1- ½ Frangible Coupling

2 = 1 Inch EMT - 2 Inch Mount

3 = 2 Inch EMT - 2 Inch Frangible Coupling

Note: For Threshold Lights the colors "GR" or "GO" are used on the "Left Hand" side of the centerline as viewed from the approach, "RG" or "OG" are used on the "Right Hand" side. Equal Left and Right Hand fixtures should be ordered for most installations.

6370 SERIES TRADITIONAL HIGH INTENSITY RUNWAY AND THRESHOLD FIXTURES

ACCESSORY & REPLACEMENT PARTS

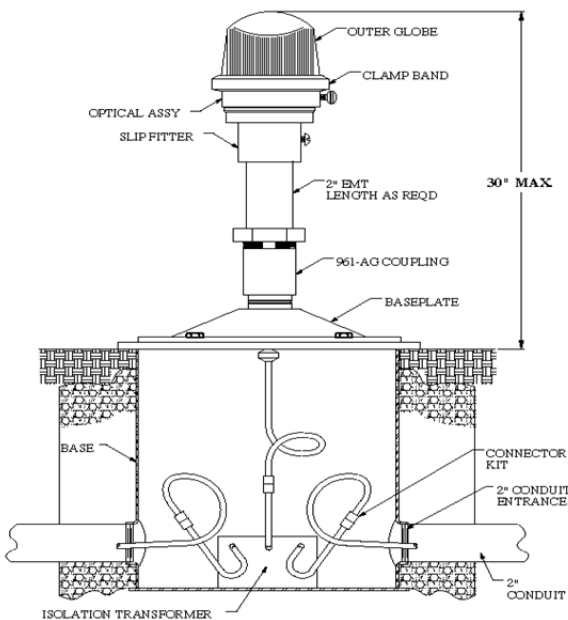
Catalog Number	Description	Catalog Number	Description
6370A	Basic Fixture Assembly (14" h max)	6370 -10W	White (Clear) Inner Lens 177°
6370A-L	Basic Fixture Assembly (30" h max)	6370-10A	Amber (Yellow) Inner Lens 177°
9696	120W 6.6A Bi-Pin Quartz Lamp *	6370-10B	Blue Inner Lens 177°
9697	150W 6.6A Bi-Pin Quartz Lamp	6370-10G	Green Inner Lens 177°
9699	200W 6.6A Bi-Pin Quartz Lamp	6370-10R	Red Inner Lens 177°
961	2 Inch Slip Fit Frangible Coupling	6370-10O	Obscure (Black) Inner Lens 177°
961-AG	2 Inch EMT Frangible Coupling	6370-09	Clear Outer Lens
964	1-1/2 Inch EMT Frangible Coupling	6370-13-G/R-LH	Green/Red Outer Lens, Left Hand
961-TAS	1-1/2 to 2 Inch Thread Adapter	6370-13-G/R-RH	Green/Red Outer Lens, Right Hand
1170-03	2 Inch Aluminum Baseplate	6370-13-R/B-LH	Red/Blue Outer Lens, Left Hand
1080	1-1/2 Inch Aluminum Baseplate	6370-13-R/B-RH	Red/Blue Outer Lens, Right Hand
AP1832	2 Inch Steel Baseplate	6370-13-R/O-LH	Red/Obscure Outer Lens, Left Hand
AP1975	1-1/2 Inch Steel Baseplate	6370-13-R/O-RH	Red/Obscure Outer Lens, Right Hand
AW2102	2 Inch Stake Assembly	6370-13-G/O-LH	Green/Obscure Outer Lens, Left Hand
AW2205	1-1/2 Inch Stake Assembly	6370-13-G/O-RH	Green/Obscure Outer Lens, Right Hand
1170-16	Cable Assembly, 16" Long	6370- 20	Inner Lens Retainer
1170-32	Cable Assembly, 32" Long	6370-02	O-Ring Gasket
6370-04	Lamp Socket	6370-01	Lens Mounting Casting
6370-05	Clamp Band		

* Not FAA Certified

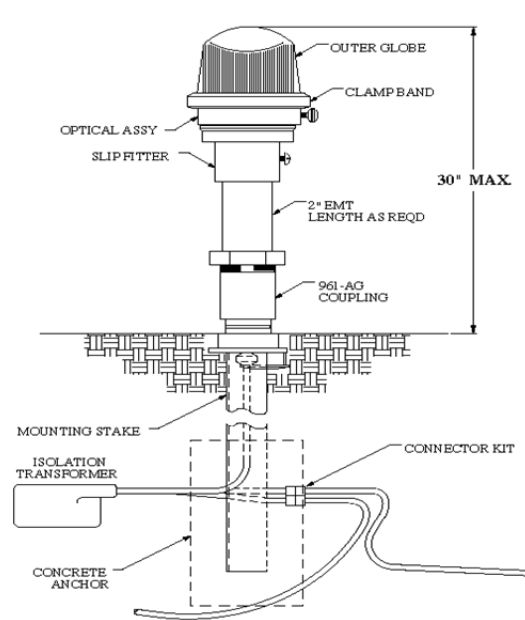
Contact Factory for additional available options and accessories

TYPICAL INSTALLATIONS

BASE MOUNTED ELEVATED LIGHT FIXTURE SHOWN WITH OPTIONAL EXTRA HEIGHT



STAKE MOUNTED ELEVATED LIGHT FIXTURE SHOWN WITH OPTIONAL EXTRA HEIGHT



The Quality Approach Since 1917

Contact Us At:

Multi Electric Mfg., Inc.

4223 W Lake Street

Chicago, IL 60624

Tel: 773.722.1900 • Fax: 773.722.5694

sales@multielectric.com • www.multielectric.com

MULTI ELECTRIC
OCEM AIRFIELD

Jul 2019