



# PAPI

## HELIPORT PRECISION APPROACH PATH INDICATOR



### COMPLIANCES

ICAO: Annex 14 - Volume II

NATO: STANAG 3619

### APPLICATIONS

A PAPI or A-PAPI system provides the pilot a positive visual indication of the helicopter position in respect to the optimal glide slope during the final approach to the helipad.

For heliports the most commonly used system is the A-PAPI, consisting of two units preferably located on the extension of the landing direction, installed outside the helipad.

Each unit produces a beam of light, the upper portion being white, the lower red, with a sharp transition; each unit is equipped with two lamps. When a pilot is flying close to the nominal approach slope, the right unit appears red and the other white; if the pilot follows greater angles both the units appear white, while for lower angles they appear red.

However configurations and different layouts are possible depending on the local needs, including the possibility of adopting a PAPI system consists of four units

### BENEFITS

- 1000 hours lamp rated life at full intensity, but over 3000 hours in field operating conditions
- All the units are identical each to other and are properly setted on site according to the specific slope angle
- Simple and quick installation

### PERFORMANCES

- Body consisting of an aluminium sheet box with a front panel for lenses and two inner panels for filters and reflectors
- Four supporting columns for maximum stability, each including an aluminium leg with breakable groove, to assure the frangibility of the unit in case of impact, and an upper stainless steel threaded rod, to allow the precise adjustment ( $\pm 30$  mm) in elevation and the fine levelling of the box. The legs are available of different lengths to compensate ground gradients
- Aluminium top cover, removable, locked to the body by means of two padlockable fasteners
- One cable lead for each lamp
- Optional protective front glass
- On request, each cable lead can be supplied complete with a galvanized steel flexible pipe, PVC sheathed, for mechanical protection
- Protection degree: IP44
- Temperature range:  $-55^{\circ}\text{C}$  to  $+55^{\circ}\text{C}$

### INSTALLATION

- On concrete platform by means of threaded anchors or floor flanges: a positioning jig can be supplied for their precise installation
- A linear level and a clinometer are available for precise unit levelling and aiming respectively

## PHOTOMETRIC PERFORMANCES

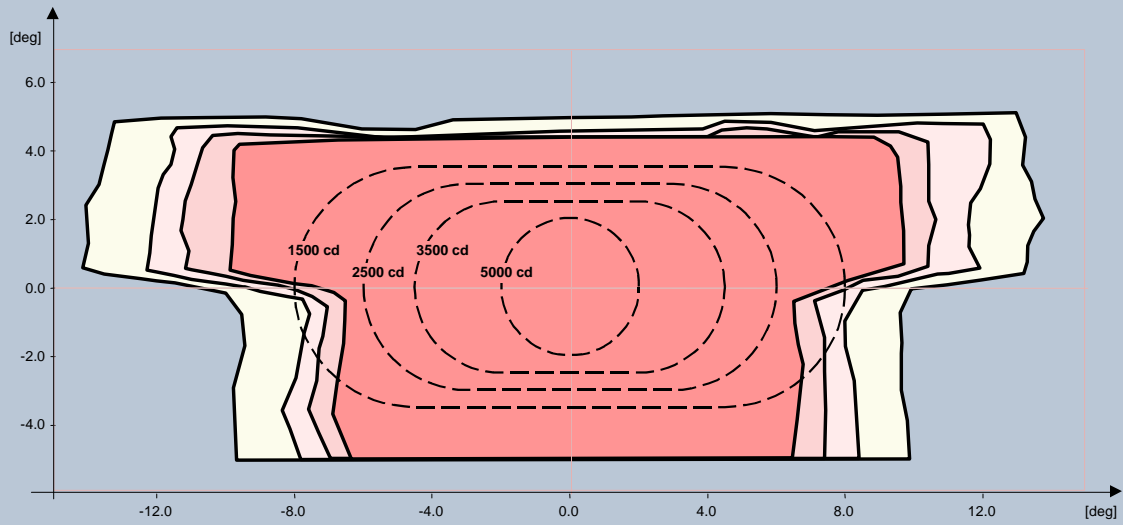


Fig. 1 OACI A2-23 – A-PAPI - White/Red

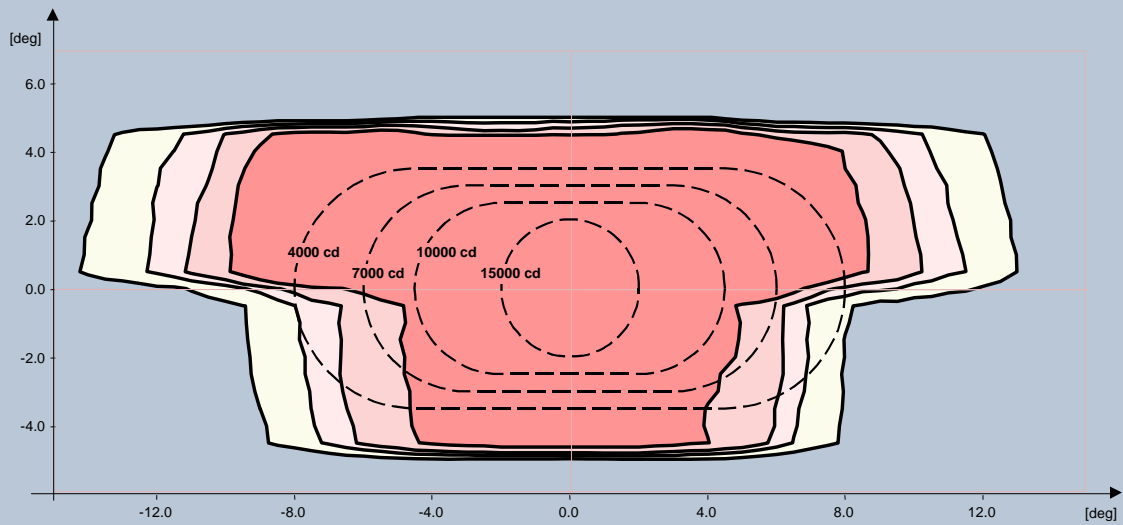
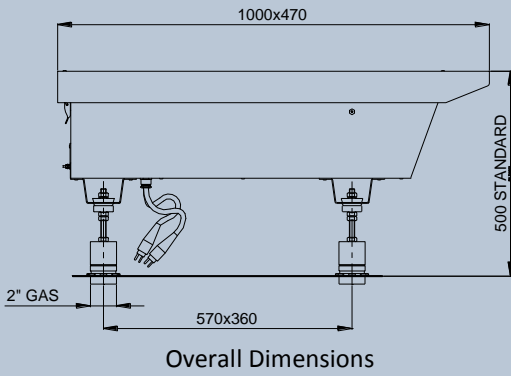


Fig. 2 OACI A2-23 – PAPI - White/Red



**401HA - 2 - 10 - 16**

**Basic P/N:** \_\_\_\_\_

**Application:** \_\_\_\_\_

H = ICAO Heliports

**System:** \_\_\_\_\_

P = PAPI System (4 units)

A = APAPI System (2 units)

U = Single Unit (1 unit)

**Number of Lamps:** \_\_\_\_\_

2 = Two Lamps per Units

**Lamps:** \_\_\_\_\_

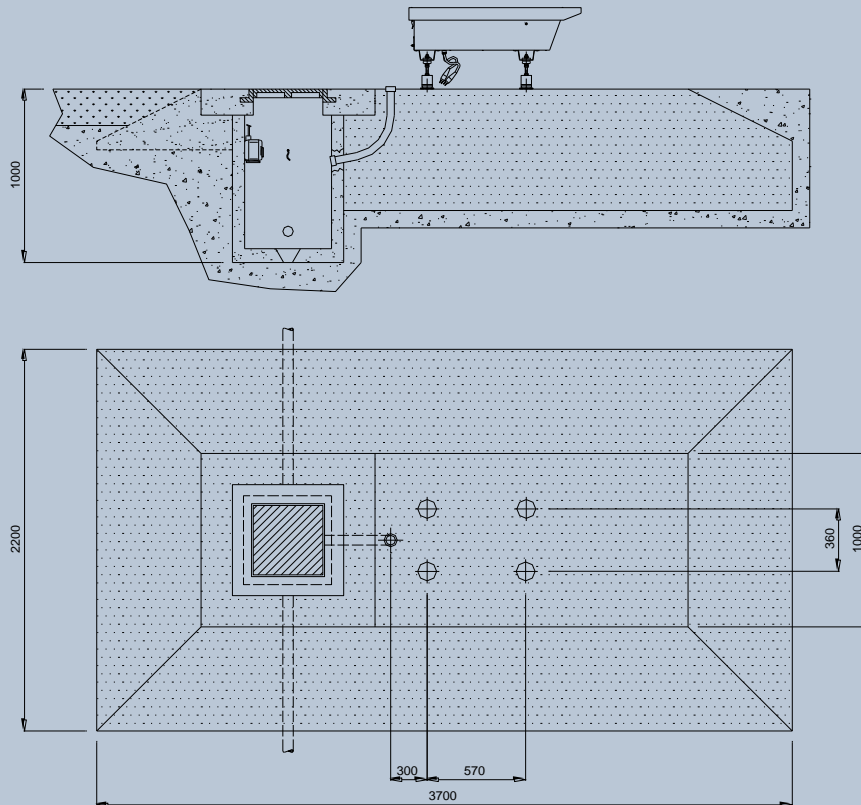
10 = 100W 6.6A PK 30/d

20 = 200W 6.6A PK 30/d

**Options:** \_\_\_\_\_

16 = Protective Front Glass

18 = Flexible Pipes for Cable Lead Protection



**RENEWAL PARTS FOR LIGHT UNIT**

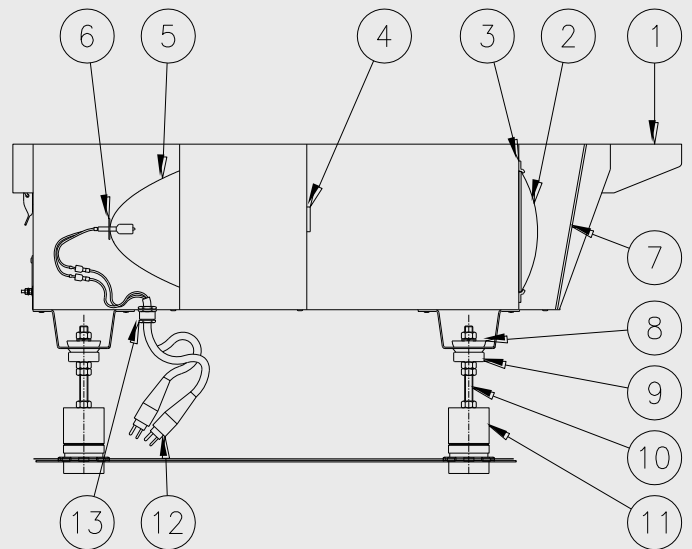
- 1 Top cover
- 2 Optical glass front lens
- 3 Lens ring
- 4 Tempered glass red filter
- 5 Reflector with lampholding plate
- 6 Lamp
- 7 Front glass
- 8 Spherical counterjoint for supporting column
- 9 Spherical joint for supporting column
- 10 Threaded rod
- 11 Leg with breakable groove
- 12 Cable lead with plug
- 13 Cable gland

Refer to the relevant technical manual for the complete list of the available spare parts

**ACCESSORIES**

- |          |   |
|----------|---|
| 315.4100 | Threaded anchor 2"-11 GAS   |
| 303.7350 | Threaded floor flange 2"-11 GAS   |
| 013.0008 | Galvanized steel pipe elbow with upper threaded end only (2" - 11 GAS thread)                   |
| 315.3210 | Galvanized steel pipe elbow with both threaded ends (2" - 11 GAS thread)                        |
| 013.0010 | Set of two ryton rings for receptacle support inside pipe elbow                                 |
| 315.1228 | Base L-867, Class IA, Size B, 24" Deep  |
| 013.0023 | Two threaded opening baseplate for L-867 base, with gasket and cable clamp (2" - 11 GAS thread) |
| 332.3430 | Positioning jig for threaded anchor   |
| 738.2007 | Linear level  |
| 332.3390 | Clinometer  |
| 334.5900 | Breakable leg, 145 mm long  |
| 334.5905 | Breakable leg, 195 mm long  |
| 334.5910 | Breakable leg, 245 mm long  |
| 334.5915 | Breakable leg, 295 mm long  |
| 334.5920 | Breakable leg, 345 mm long  |
| 334.5925 | Breakable leg, 395 mm long  |
| 334.5930 | Breakable leg, 445 mm long  |
| 334.5935 | Breakable leg, 495 mm long  |
| 334.5940 | Breakable leg, 545 mm long  |
| 334.5945 | Breakable leg, 595 mm long  |
| 334.5950 | Breakable leg, 645 mm long  |

For any information about isolating transformers and connectors, please see the specific catalogue pages

**Shipping Weights and Volumes**

Type	PAPI unit
Weight (kg)	19
Volume (m <sup>3</sup> )	0.220